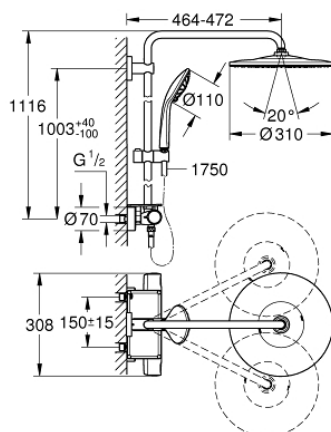


26 401 001 VITALIO JOY SYSTEM 310 SHOWER SYSTEM WITH THERMOSTATIC MIXER FOR WALL MOUNTING



PRODUCT DESCRIPTION (1/2)

- Colour: chrome
- consisting of:
 - horizontal swivable 450 mm shower arm
 - exposed Precision thermostats with Aquadimmer function
 - allows change between:
 - Vitalio Rain 310 Mono head shower
 - spray pattern: Rain
 - maximum flow rate (at 3 bar): 9 l/min
 - with ball joint
 - rotation angle $\pm 15^\circ$
 - hand shower Vitalio Joy 110 Massage (27 319)
 - spray patterns: Rain, Massage, SmartRain
 - maximum flow rate (at 3 bar): 7.5 l/min
 - adjustable in height with gliding element
 - shower hose VitalioFlex Silver 1.750 mm, 1/2" x 1/2" (27 506)
 - maximum flow rate system (at 3 bar): 9 l/min
- GROHE EcoJoy - less water, perfect flow
- GROHE EasyReach tray
- GROHE TurboStat - compact cartridge with wax thermoelement
- GROHE SafeStop - safety button at 38°C
- GROHE SafeStop Plus - optional temperature limiter at 43°C included
- GROHE CoolTouch - no risk of scalding
- GROHE MetalGrip ergonomically shaped metal handles
- GROHE DreamSpray - perfect spray pattern
- GROHE LongLife finish
- GROHE SprayDimmer (stepless flow rate reduction)
- Flexible Installation - 1 adjustable bracket for existing drill holes
- Inner WaterGuide - inner insulation for surface protection
- GROHE SpeedClean - effortless limescale removal
- TwistStop - to prevent hose from twisting
- suitable for instantaneous heaters from 18 kW/h
- minimum flow rate 5 l/min
- Consumer edition

Pure Freude
an Wasser

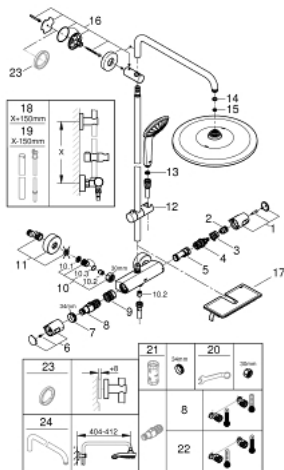


**26 401 001 VITALIO JOY SYSTEM 310 SHOWER SYSTEM WITH THERMOSTATIC MIXER
FOR WALL MOUNTING**

PRODUCT DESCRIPTION (2/2)

- GROHE QuickSpanner included

26 401 001 VITALIO JOY SYSTEM 310 SHOWER SYSTEM WITH THERMOSTATIC MIXER FOR WALL MOUNTING



SPARE PARTS, January 2020 – now

- 1: Shut-off handle (Order-nr. 47991000)
- 2: Stop ring (Order-nr. 47986000)
- 3: Stop ring (Order-nr. 47965000)
- 4: Aquadimmer (Order-nr. 47364000)
- 5: Water flow (Order-nr. 47887000)
- 6: Handle (Order-nr. 47992000)
- 7: Fitting ring (Order-nr. 47743000)
- 8: Thermostatic compact cartridge 1/2" (Order-nr. 47439000)
- 9: Race (Order-nr. 47975000)
- 10: Non-return valve (Order-nr. 47189000)
- 10.1: Dirt strainer (Order-nr. 0726400M)
- 10.2: Non-return valve (Order-nr. 08565000)
- 10.3: O-ring $\varnothing 17 \times \varnothing 2$ (Order-nr. 0305500M)
- 11: S-union (Order-nr. 12662000)
- 12: Glide element (Order-nr. 12140000)
- 13: Dirt strainer (Order-nr. 0700200M)
- 14: Fibre seal $\varnothing 18,5 \times \varnothing 12 \times 2$ (Order-nr. 0138900M)
- 15: Dirt strainer (Order-nr. 48007000)
- 16: Shower rail holder (Order-nr. 48279000)
- 17: GROHE EasyReach tray (Order-nr. 26362LN1)
- 18: Shower system pipe for retrofitting (Order-nr. 48514000)*
- 19: Shower system pipe for retrofitting (Order-nr. 48515000)*
- 20: Special spanner (Order-nr. 19377000)*
- 21: Socket spanner (Order-nr. 19332000)*
- 22: GROHE TurboStat cartridge 1/2" (Order-nr. 47175000)*
- 23: Compensation disc (Order-nr. 27180000)*
- 24: Shower arm for shower systems (Order-nr. 14047000)*

*Special accessories